

# CLS 30 HG / CLS 30 HG70V

Indoor/outdoor horn loudspeaker



Easy  
mounting

Flexible  
to use

High  
volume

## Assertive in every situation

The CLS 30 HG is suitable for speech and music signal transmission and can be used both for indoor and outdoor applications. Self-extinguishing ABS housing material in combination with a multi-stage swivel bracket made of V4A stainless steel (1.4571), resistance category III ensures durability and safety. The M20 cable gland provides protection against heavy water penetration. An additional hole in the pressure chamber allows the water to drain off after cleaning. This horn comes also equipped with a high-pass filter.

## Features and highlights

- Suitable for outdoor use
- Wide operating temperature range thanks to particularly resistant materials
- V4A stainless steel (1.4571) mounting bracket
- Can be combined with any 70/100 V Series AF Commend amplifier

# CLS 30 HG / CLS 30 HG70V

## Technical specifications

### Technical data

|  |  |
|--|--|
| <b>IP rating:</b>                      | IP66 (acc. EN 60529)                       |
| <b>Mechanical impact resistance:</b>   | IK10 (acc. EN 62262)                       |
| <b>Housing:</b>                        | ABS, self-extinguishing (V-0)              |
| <b>Mounting bracket:</b>               | V4A stainless steel (1.4571)               |
| <b>Sound pressure level:</b>           | 110 dB (1 W/1 m)                           |
| <b>Max. sound pressure level:</b>      | 123 dB (1 m)                               |
| <b>Loudspeaker frequency range:</b>    | 350 Hz to 10 kHz (-10 dB)                  |
| <b>Loudspeaker transmission angle:</b> | 110° x 55° (H x V)                         |
| <b>Connections:</b>                    | M20 cable gland                            |
| <b>Operating temperature range:</b>    | -40 °C to +80 °C (-40 °F to +176 °F)       |
| <b>Storage temperature range:</b>      | -40 °C to +80 °C (-40 °F to +176 °F)       |
| <b>Colour:</b>                         | Light grey (RAL 7035)                      |
| <b>Dimensions (W x H x D):</b>         | 180 x 120 x 230 mm (7.09 x 4.72 x 9.06 in) |
| <b>Weight incl. package:</b>           | approx. 2,215 g (4.9 lbs)                  |

### Impedances and transformer matching

| Product version:                                | CLS 30 HG          | CLS 30 HG          | CLS 30 HG70V      |
|---|--------------------|--------------------|-------------------|
| <b>Operating voltage:</b>                       | 100 V              | 70 V               | 70 V              |
| <b>Load rating:</b>                             | 30 W               | 15 W               | 30 W              |
| <b>Loudspeaker impedance:</b>                   | 330 Ω/660 Ω/1.3 kΩ | 330 Ω/660 Ω/1.3 kΩ | 163 Ω/326 Ω/653 Ω |
| <b>Transformer matching (yellow/red/black):</b> | 30 W/15 W/7.5 W    | 15 W/7.5 W/3.75 W  | 30 W/15 W/7.5 W   |



### Extent of supply

- Horn loudspeaker
- Stainless steel mounting bracket
- M20 cable glands (premounted)
- Short reference

# CLS 30 HG / CLS 30 HG70V

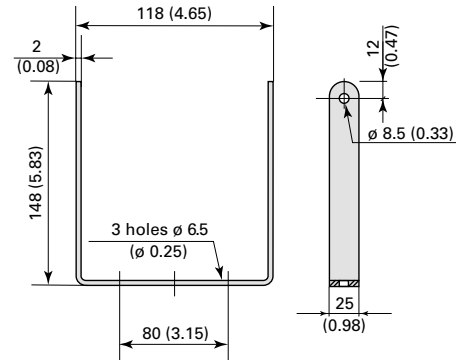
## Installation instructions

### Mounting instructions

- Do not install the device on unstable walls or on surfaces which cannot support the device's weight.
- When using dowels, make sure to clean the wall holes properly after drilling.
- This device shall be installed or replaced by trained and qualified personnel only, and only when the power supply is disconnected.
- Observe the country-specific standards for installation, mounting and configuration.
- Install or store this device out of the reach of children and do not allow persons unfamiliar with the device and these instructions to handle and operate the device.
- Use premounted cable glands only in order to fulfil the IP rating.
- To change the position of the loudspeaker, adjust the bracket as required (by loosening/tightening the screws).
- Use 3 screws with a diameter from 5 or 5.5 mm. Fastening, screw type and screw length depends on the mounting ground.
- All connected circuits shall fulfil the requirements for ES1 circuits (cf. SELV acc. IEC/EN 60950-1) and PS2 (Limited Power Source) as per IEC/EN 62368-1.

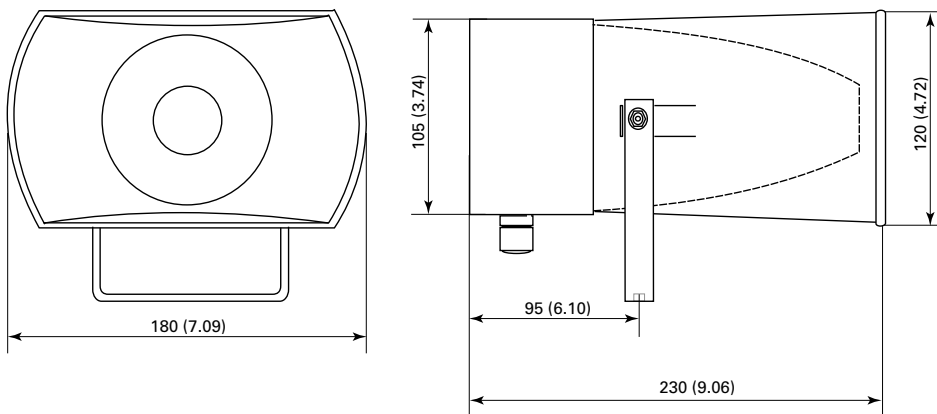
### Mounting bracket

Measuring units in mm (in), not to scale!



### Dimensions

Measuring units in mm (in), not to scale!



## Quality tested. Reliable. Smart.

COMMEND products are developed and manufactured by Commend International in Salzburg, Austria.

The development and manufacturing processes are certified in accordance with **EN ISO 9001:2015**.



The technical data contained herein has been provided solely for informational purposes and is not legally binding. Subject to change, technical or otherwise. lolP®, OpenDuplex® and Commend® are trademarks registered by Commend International GmbH. All other brands or product names are trademarks or registered trademarks of the respective owner and have not been specifically earmarked.

## A strong worldwide network

COMMEND is represented all over the world by local Commend Partners and helps to improve security and communication with tailored Intercom solutions.

[www.commend.com](http://www.commend.com)