

# CLS 6 CCW / CLS 6 CCW70V

Surface mounting loudspeaker



Easy  
mounting

Flexible  
to use

High  
volume

## Assertive in every situation

Modern housing with bass reflex system and a high-quality humidity-proof impregnated full-range loudspeaker system. Thanks to its ventilated housing, the CLS 6 CCW is most suitable for speech and music signal transmission. The symmetrical design permits horizontal and vertical installation. Anti-theft protection is ensured by the housing used.

## Features and highlights

- Made of ABS
- Can be combined with any 70/100 V Series AF Commend amplifier

# CLS 6 CCW / CLS 6 CCW70V

## Technical specifications



### Technical data

<b>Housing:</b>	ABS
<b>Sound pressure level:</b>	93 dB (1 W/1 m)
<b>Max. sound pressure level:</b>	101 dB (1 m)
<b>Loudspeaker frequency range:</b>	70 Hz to 19 kHz (-10 dB)
<b>Loudspeaker transmission angle:</b>	160°
<b>Connections:</b>	4-pole screw down terminal
<b>Colour:</b>	white (RAL 9010)
<b>Dimensions (W x H x D):</b>	330 x 240 x 83 mm (13 x 9.45 x 3.26 in)
<b>Weight incl. package:</b>	approx. 1,460 g (3.2 lbs)

### Extent of supply

- Loudspeaker
- Screws
- Wall plugs
- Short reference

### Impedances and transformer matching

Product version:	CLS 6 CCW	CLS 6 CCW	CLS 6 CCW70V
<b>Operating voltage:</b>	100 V	70 V	70 V
<b>Load rating:</b>	6 W	3 W	6 W
<b>Loudspeaker impedance:</b>	1.6 kΩ/3.3 kΩ/ 6.6 kΩ	1.6 kΩ/3.3 kΩ/ 6.6 kΩ	816 Ω/1.6 kΩ/ 3.2 kΩ
<b>Transformer matching (yellow/red/black):</b>	6 W/3 W/1.5 W	3 W/1.5 W/0.75 W	6 W/3 W/1.5 W

# CLS 6 CCW / CLS 6 CCW70V

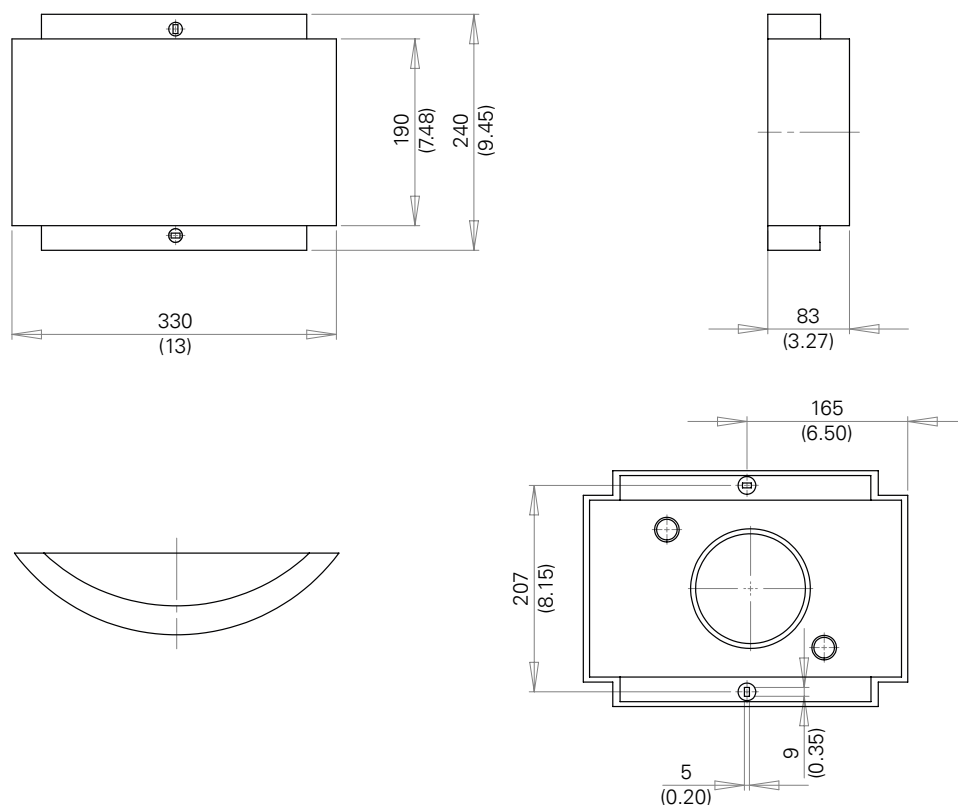
## Installation instructions

### Mounting instructions

- Do not install the device on unstable walls or on surfaces which cannot support the device's weight.
- When using dowels, make sure to clean the wall holes properly after drilling.
- This device shall be installed or replaced by trained and qualified personnel only, and only when the power supply is disconnected.
- Observe the country-specific standards for installation, mounting and configuration.
- Install or store this device out of the reach of children and do not allow persons unfamiliar with the device and these instructions to handle and operate the device.
- All connected circuits shall fulfil the requirements for ES1 circuits (cf. SELV acc. IEC/EN 60950-1) and PS2 (Limited Power Source) as per IEC/EN 62368-1.

### Dimensions

Measuring units in mm (in), not to scale!



## Quality tested. Reliable. Smart.

COMMEND products are developed and manufactured by Commend International in Salzburg, Austria.

The development and manufacturing processes are certified in accordance with **EN ISO 9001:2015**.



The technical data contained herein has been provided solely for informational purposes and is not legally binding. Subject to change, technical or otherwise. lolP®, OpenDuplex® and Commend® are trademarks registered by Commend International GmbH. All other brands or product names are trademarks or registered trademarks of the respective owner and have not been specifically earmarked.

## A strong worldwide network

COMMEND is represented all over the world by local Commend Partners and helps to improve security and communication with tailored Intercom solutions.

[www.commend.com](http://www.commend.com)