

CLS 6 PW / CLS 6 PW70V

Projector loudspeaker



Easy
mounting

Flexible
to use

High
volume

Assertive in every situation

The projector loudspeaker CLS 6 PW for wall and ceiling mounting is designed specifically to provide reliable voice signal transmission under rough indoor conditions (e.g. car parks, exhibition halls and event halls). The 130 mm chassis impresses with a high sound pressure level and an excellent frequency range. As it is based on classic 70/100 V technology, the loudspeaker can be easily combined with any Commend 70/100 V amplifier. The symmetrical design permits horizontal and vertical installation. Anti-theft protection is ensured by the housing used. Suitable for EVAC applications according to DIN 60849.

Features and highlights

- Made of aluminium
- Pan-and-tilt bracket included
- Can be combined with any 70/100 V Series AF Commend amplifier

CLS 6 PW / CLS 6 PW70V

Technical specifications

Technical data

Housing:	aluminium
Sound pressure level:	93 dB (1 W/1 m)
Max. sound pressure level:	101 dB (1 m)
Loudspeaker frequency range:	70 Hz to 19 kHz (-10 dB)
Loudspeaker transmission angle:	130°
Connections:	4-core cable
Colour:	white (RAL 9010)
Dimensions (Ø x D):	144 x 210 mm (5.67 x 8.27 in)
Weight incl. package:	approx. 2,135 g (4.7 lbs)

Impedances and transformer matching

Product version:	CLS 6 PW	CLS 6 PW	CLS 6 PW70V
Operating voltage:	100 V	70 V	70 V
Load rating:	6 W	3 W	6 W
Loudspeaker impedance:	1.6 kΩ/3.3 kΩ/ 6.6 kΩ	1.6 kΩ/3.3 kΩ/ 6.6 kΩ	816 Ω/1.6 kΩ/ 3.2 kΩ
Transformer matching (grey/brown/black):	6 W/3 W/1.5 W	3 W/1.5 W/0.75 W	6 W/3 W/1.5 W



Extent of supply

- Projector loudspeaker
- Aluminium mounting bracket
- Connection cable (4-core, 1.5 m / 59 in)
- Screws and wallplugs
- Short reference

CLS 6 PW / CLS 6 PW70V

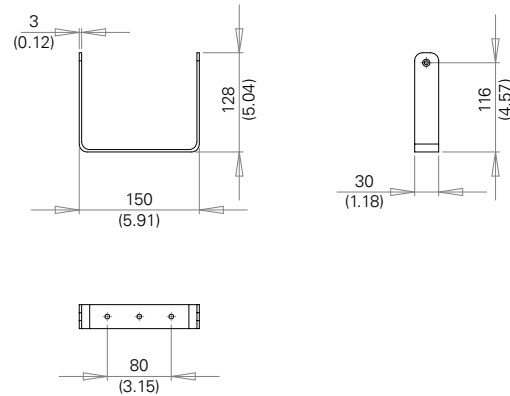
Installation instructions

Mounting instructions

- Do not install the device on unstable walls or on surfaces which cannot support the device's weight.
- When using dowels, make sure to clean the wall holes properly after drilling.
- This device shall be installed or replaced by trained and qualified personnel only, and only when the power supply is disconnected.
- Observe the country-specific standards for installation, mounting and configuration.
- Install or store this device out of the reach of children and do not allow persons unfamiliar with the device and these instructions to handle and operate the device.
- To change the position of the loudspeaker, adjust the bracket as required (by loosening/tightening the screws).
- Use 3 screws with a diameter from 5 to 5.5 mm. Fastening, screw type and screw length depends on the mounting ground.
- All connected circuits shall fulfil the requirements for ES1 circuits (cf. SELV acc. IEC/EN 60950-1) and PS2 (Limited Power Source) as per IEC/EN 62368-1.

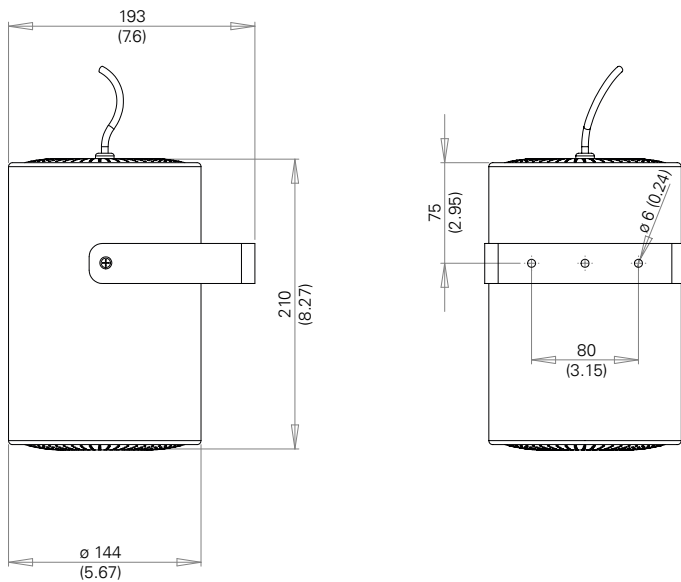
Mounting bracket

Measuring units in mm (in), not to scale!



Dimensions

Measuring units in mm (in), not to scale!



Quality tested. Reliable. Smart.

COMMEND products are developed and manufactured by Commend International in Salzburg, Austria.

The development and manufacturing processes are certified in accordance with **EN ISO 9001:2015**.



The technical data contained herein has been provided solely for informational purposes and is not legally binding. Subject to change, technical or otherwise. lolP®, OpenDuplex® and Commend® are trademarks registered by Commend International GmbH. All other brands or product names are trademarks or registered trademarks of the respective owner and have not been specifically earmarked.

A strong worldwide network

COMMEND is represented all over the world by local Commend Partners and helps to improve security and communication with tailored Intercom solutions.

www.commend.com