

# ID5 DKGM/ID5 DKHSGM

Desk kits with gooseneck microphone, PTT button and handset for an id5



Multi-functional button

Easy integration

Modular solution

Future-proof system

## Flexible add-on

To ensure the best possible speech intelligibility in every situation, it is important to choose the right microphone. These desk kits extend the range of applications and functions of an id5 Intercom station.

The gooseneck microphone shows its strengths especially in the case of high ambient noise or for announcements. The desk kits come with a PTT button with LED ring, e.g. to indicate when the microphone is active. The ID5 DKHSGM also includes a handset. The devices connect easily via USB. If the push-to-talk function is not required, the button can be used for triggering actions and action sequences.

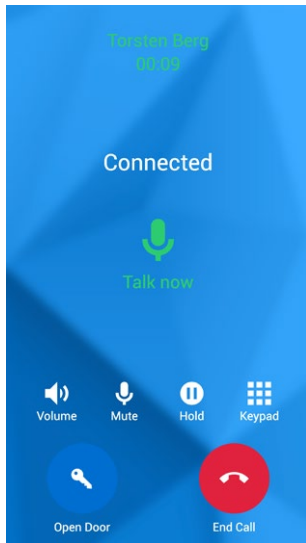
In combination with an Intercom module im6, it is also possible to build customer-specific solutions.

## Features and highlights

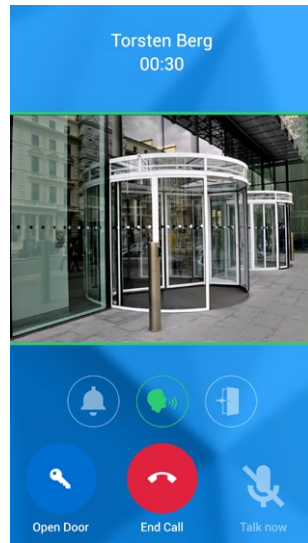
- Simple extension for an Intercom station id5
- Configurable push-to-talk button
- Configurable red LED ring, e.g. for status indication
- Flexible gooseneck
- High-quality electret condenser microphone
- Handset with coiled cable (ID5 DKHSGM only)

## Visualisation on the device display

Pictograms on the display indicate when the user may speak. A green pictogram means that you may speak; a grey pictogram means that the person on the remote station may speak.



Example screenshot without video image: you may speak now.



Example screenshot with video image: the person at the remote station may speak.

## Configuration options

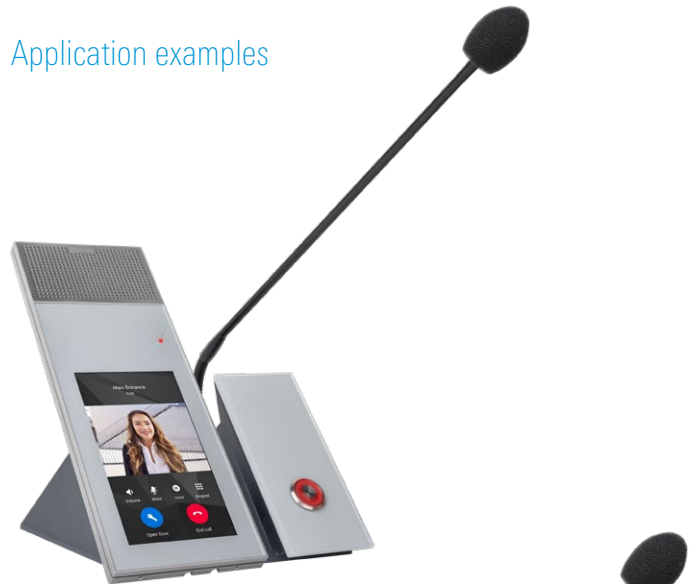
### Gooseneck microphone

- For push-to-talk applications
- For conversations and announcements as an alternative to the internal microphone

### Push-to-talk button with red LED ring

- For push-to-talk applications
- For actions and action sequences (e.g. operating a door opener)
- For status indication via the red LED ring (e.g. door open)

## Application examples



ID5 TD with ID5 DKGM



ID5 TD with ID5 DKHSGM

# ID5 DKGM/ID5 DKHSGM

## Technical specifications

### Technical data

<b>Microphone:</b>	gooseneck with electret condenser microphone, polar pattern: cardioid ID5 DKHSGM only: handset with electret condenser microphone, polar pattern: omnidirectional
<b>Handset loudspeaker frequency response (ID5 DKHSGM only):</b>	50 Hz to 7 kHz
<b>Operating temperature range:</b>	0 °C to +50 °C (32 °F to +122 °F)
<b>Storage temperature range:</b>	-20 °C to +70 °C (-4 °F to +158 °F)
<b>Relative humidity:</b>	up to 90%, not condensing
<b>Connection:</b>	USB 2.0 (Type A) <sup>1)</sup> ID5 DKHSGM only: coiled cord, cable length (not stretched out): approx. 300 mm (19.69 in)
<b>Power supply:</b>	via USB ID5 DKGM: power consumption: 5 VDC, max. 60 mA ID5 DKHSGM: power consumption: 5 VDC, max. 500 mA
<b>Approvals and compliances:</b>	EN 61000-6-2, EN 61000-6-3, EN 55032 Class B, EN 55024, EN 55035, IEC/EN 62368-1 FCC Part 15 Class B, ICES-003 Class B
<b>Dimensions (H x W x D):</b>	ID5 DKGM with gooseneck microphone: 396 x 170 x 171 mm (15.59 x 6.69 x 6.73 in) ID5 DKGM without gooseneck microphone: 96 x 170 x 138 mm (3.78 x 6.69 x 5.43 in) ID5 DKHSGM with gooseneck microphone: 396 x 255 x 171 mm (15.59 x 10.04 x 6.73 in) ID5 DKHSGM without gooseneck microphone: 173 x 255 x 168 mm (6.81 x 10.04 x 6.61 in)
<b>Weight incl. package:</b>	ID5 DKGM: approx. 900 g (1.98 lbs) ID5 DKHSGM: approx. 1,700 g (3.75 lbs)
<b>Compatible Intercom stations:</b>	id5, od5 and im6

<sup>1)</sup> The USB connection is only intended for use with suitable Commend devices. Do not connect the USB plug e.g. to computers.



### Extent of supply

- Gooseneck microphone desk kit
- Handset (ID5 DKHSGM only)
- Cable clip with adhesive strip (ID5 DKHSGM only)
- Short reference

### System requirements

- Symphony MX (version 2.9)

### NOTE

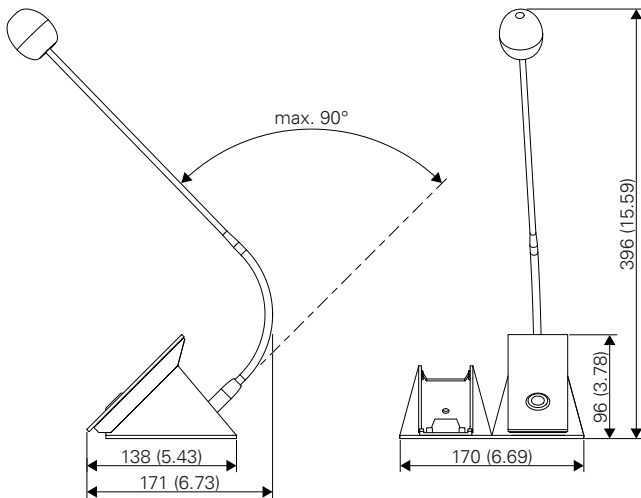
For operation with VirtuoSIS, certain limitations and configuration requirements apply (see product manual of the respective Intercom station).

# ID5 DKGM/ID5 DKHSGM

## Installation instructions

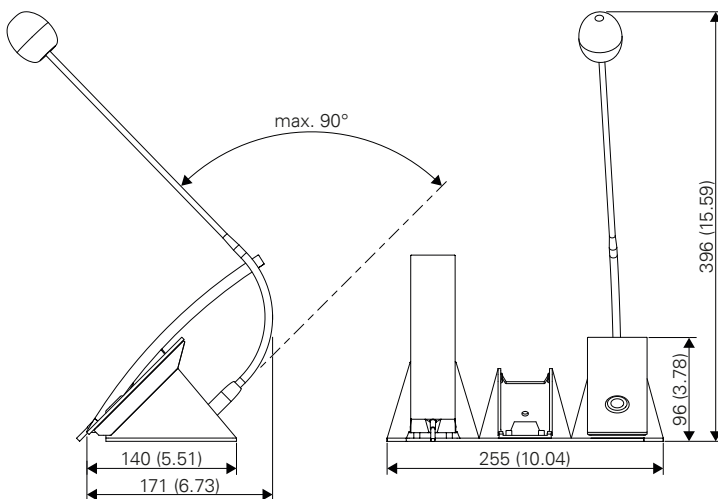
### Dimensions ID5 DKGM

Measuring units in mm (in), not to scale!



### Dimensions ID5 DKHSGM

Measuring units in mm (in), not to scale!



### Mounting instructions

- Do not place the device in areas where it may become wet or damp, and avoid dusty, humid and high temperature environments (see "Technical data").
- Do not place the device on unstable, uneven or vibrating surfaces.
- Do not expose the device to direct sunlight.
- Observe the country-specific standards, guidelines and specifications for installation, mounting and configuration.
- Before using the device, make sure the USB cable is connected correctly and not damaged.
- After connecting the ID5 DKGM/ID5 DKHSGM to the Intercom station, the Intercom station must be rebooted.

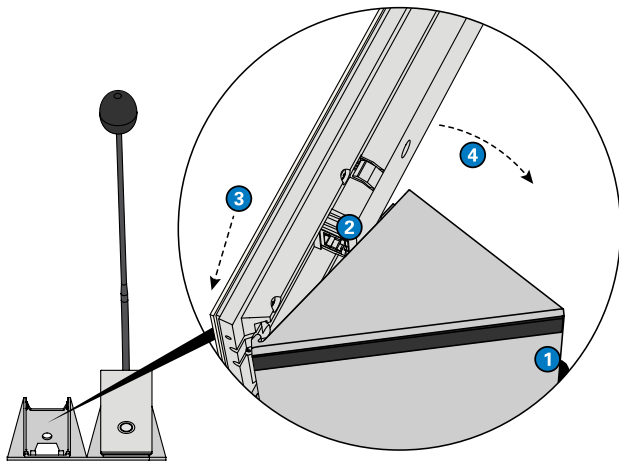
### Safety instructions

- This device shall be installed or replaced by trained and qualified personnel only.
- All connected circuits shall fulfil the requirements for Safety Extra Low Voltage (SELV) and Limited Power Source (LPS) according to IEC/EN 60950-1 and the requirements for ES1, PS2 circuits and Annex Q (Limited Power Source) as per IEC/EN 62368-1.
- Do not make any modifications to the device.
- This equipment has been tested and found to comply with the limits for a Class B digital device, pursuant to part 15 of the FCC Rules. These limits are designed to provide reasonable protection against harmful interference in a residential installation. This equipment generates, uses and can radiate radio frequency energy and, if not installed and used in accordance with the instructions, may cause harmful interference to radio communications. However, there is no guarantee that interference will not occur in a particular installation. If this equipment does cause harmful interference to radio or television reception, which can be determined by turning the equipment off and on, the user is encouraged to try to correct the interference by one or more of the following measures:
  - Reorient or relocate the receiving antenna.
  - Increase the separation between the equipment and receiver.
  - Connect the equipment into an outlet on a circuit different from that to which the receiver is connected.
  - Consult the dealer or an experienced radio/TV technician for help.

#### NOTE

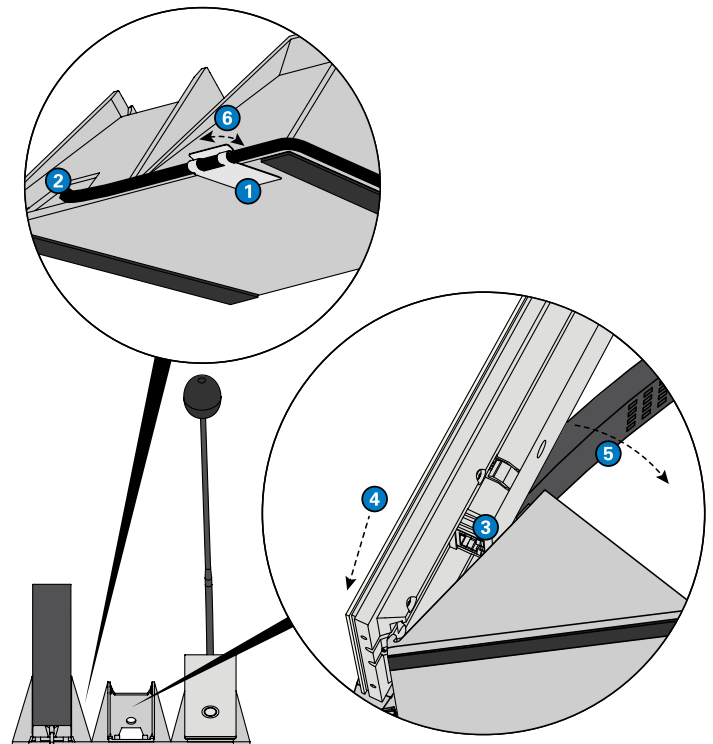
To prevent overextension and avoid premature wear, the gooseneck must not be bent more than 90°.

### Installation ID5 DKGM



- 1 Guide the required cables through the opening on the rear of the desk kit (Ethernet cable and USB cable of the gooseneck microphone/PPT button).
- 2 Connect the cables to the Intercom station.
- 3 Place the Intercom station onto the desk kit, lower end first.
- 4 Press the Intercom station onto the desk kit until it snaps into place.

### Installation ID5 DKHSGM



- 1 Remove the protective film from the adhesive strip and attach the cable clip on the desk kit so that the edge of the cut-out aligns with the housing (see illustration above).
- 2 Guide the required cables through the opening on the rear of the desk kit (Ethernet cable and USB cables of the handset and the gooseneck microphone/PPT button).
- 3 Connect the cables to the Intercom station.
- 4 Place the Intercom station onto the desk kit, lower end first.
- 5 Press the Intercom station onto the desk kit until it snaps into place.
- 6 Bend open the cable clip, guide the USB cable from the handset through it, then close the cable clip again to fix the USB cable in place.

### Quality tested. Reliable. Smart.

COMMEND products are developed and manufactured by Commend International in Salzburg, Austria.

The development and manufacturing processes are certified in accordance with **EN ISO 9001:2015**.



The technical data contained herein has been provided solely for informational purposes and is not legally binding. Subject to change, technical or otherwise. lolP®, OpenDuplex® and Commend® are trademarks registered by Commend International GmbH. All other brands or product names are trademarks or registered trademarks of the respective owner and have not been specifically earmarked.

### A strong worldwide network

COMMEND is represented all over the world by local Commend Partners and helps to improve security and communication with tailored Intercom solutions.

[www.commend.com](http://www.commend.com)