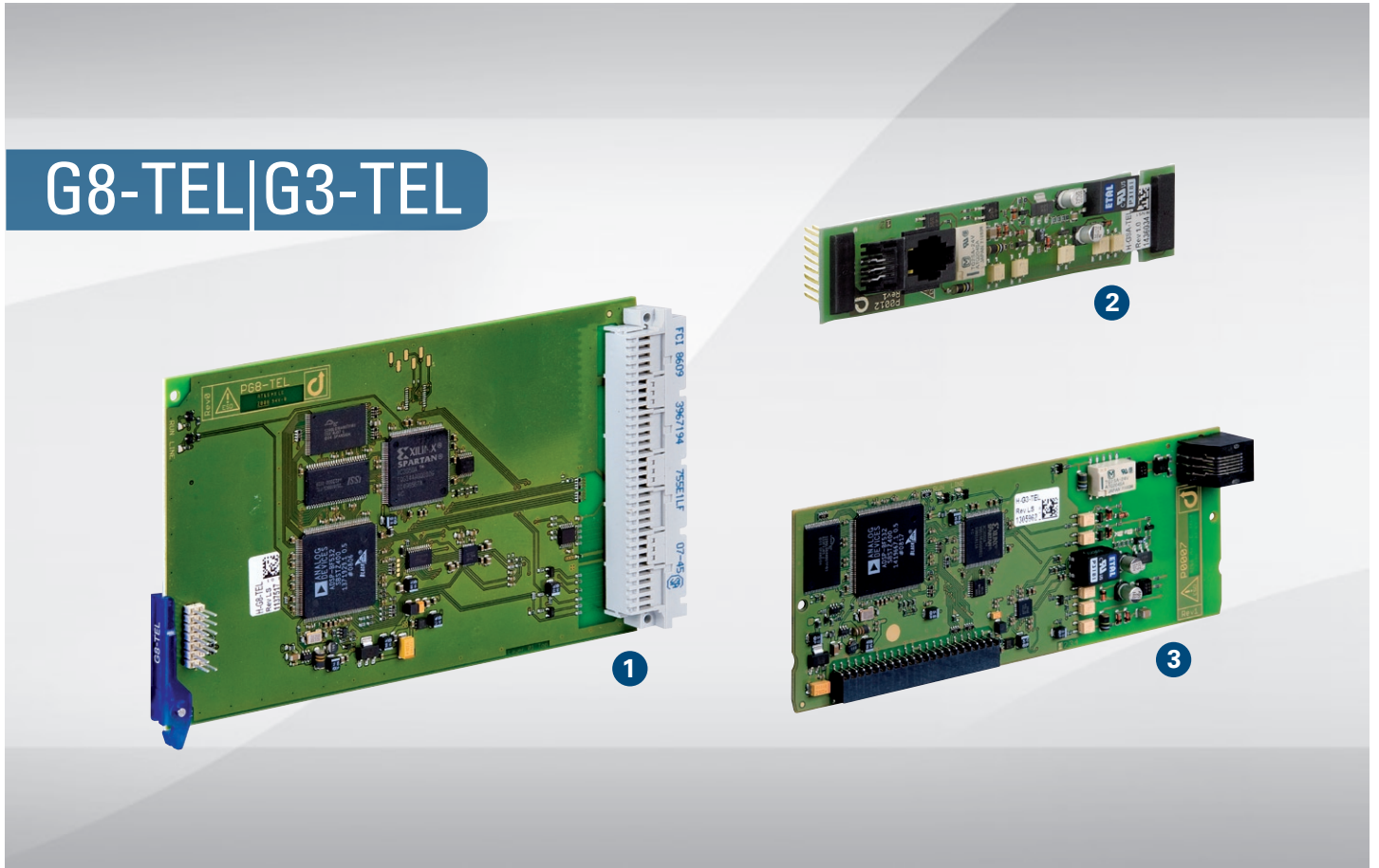


G8-TEL|G3-TEL



Telephone Interface G8-TEL, G3-TEL

The G3-TEL/G8-TEL multipurpose interface card builds a bridge between Intercom networks and telephone networks. Every interface card may be configured for one of the two possible modes:

PABX mode:

The Intercom stations can call any desired telephone number. Conversely, the Intercom stations can also be called from any telephone.

In addition all Intercom functions can be activated via the DTMF keypad of the remote telephone, e.g. All Calls, Group Calls, Door Calls with after-dialling for door opening, etc.

1. **G8-TEL**
Telephone interface for connection of the Intercom Server GE 800 to an analogue PABX subscriber or to a standard telephone line.
2. **G8A-TEL**
Installation board for G8-TEL for use in the GE 800.

Auto dialler mode (alarm dialler):

Calls and Call Requests from the Intercom Server initiate predefined dialling sequences. The called telephone receives a voice message identifying the calling station by means of integrated, user-configurable speech storage. The telephone can talk to the caller and, if required, activate remote access functions, e.g. open a door.

3. **G3-TEL**
Telephone interface for connection of the Intercom Server GE 300 to an analogue PABX subscriber or to a standard telephone line.

Technical Data – Benefits

TECHNICAL DATA

Operating temperature range:	0° C to +50° C (32° F to 122° F)
Storage temperature range:	-30° C to +60° C (-22° F to 140° F)
Relative humidity:	20% to 80%
Plug: G8-TEL: 96-way pc board connector according DIN 41612 G3-TEL: 40-way socket telephone connection: RJ 11	
Power supply:	from Intercom Server
Emergency power consumption:	0.1 Ah
Measurements:	G8-TEL: 100 x 167 mm (3.94 x 6.58 inch) G3-TEL: 60 x 160 mm (2.36 x 6.30 inch)
Weight including package:	G8-TEL: approx. 400 g (0.9 lbs) G3-TEL: approx. 350 g (0.8 lbs)
Dialling method:	DTMF
Speech storage capacity:	450 sec (7.5 min) at 16 kHz 900 sec (15 min) at 7 kHz max. 128 texts
Hardware specifications:	according to CTR 21 and EG 201121

SYSTEM REQUIREMENTS

GE 800:

- Intercom Server software min. PRO 800 1.0
- Configuration software min. CCT 800 1.0

GE 300:

- Intercom Server software min. PRO 800 1.0B
- Configuration software min. CCT 800 1.0 build 20

Configuration/Download of Speech Messages:

- Configuration software min. CCT 800 1.0

BENEFITS

- Integrates auto dialler and telephone interface
- Connection to a trunk line or to an analogue PABX extension port.
- Speech storage for generating of messages from WAV files as information for the calling Intercom station and for the remote telephone
- Predefined numbers (for auto dialler mode), predefined dialling sequences (e.g. for day/night operation)
- Dial up connections between Intercom stations and telephone sets
- Simplex control
- Operation of Intercom features (e.g. after dialling for door opening) via DTMF phones (DECT phones, GSMs, etc.)
- Approved for all countries within the EU

CE 0682 X

EXTENT OF SUPPLY

G8-TEL

1 telephone interface card including:

- Installation board G8A-TEL
- Connection cable 3 m (9.8 ft)
- Telephone adapter
- CD "Software and Manuals"
- Short reference

G3-TEL

1 telephone interface card including:

- Connection cable 3 m (9.8 ft)
- Telephone adapter
- CD "Software and Manuals"
- Short reference

Installation

PRECAUTIONS

- ESD precautions must be observed.
- Cards may be inserted or removed only with voltage switched off.
- Mounting and installation of the Intercom Servers and of the equipment may be carried out by authorised service personnel only.
- The equipment has been approved to european law 98/482/EC for pan-European single terminal connection to the Public Switched Telephone Network (PSTN). However, due to differences between the individual PSTNs provided in different countries, the approval does not, of itself, give unconditional assurance of successful operation on every PSTN network termination point. In the event of problems, you should contact your equipment supplier in the first instance.
- **Installation Reference for Germany:**
The interface G8-TEL/G3-TEL may be connected to an analogue telephone connection only as single dialling equipment. Use the F-coded TAE-plug.

CONNECTION G8-TEL

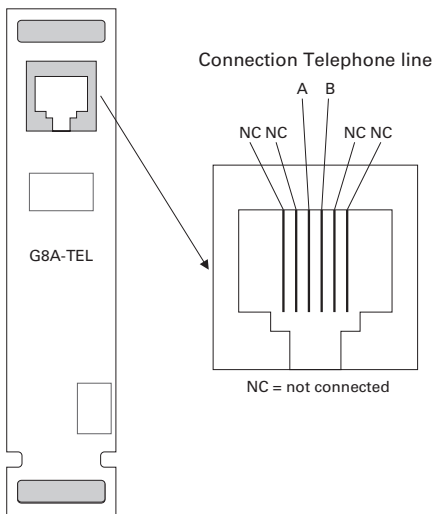
G8-TEL for the Intercom Server GE 800.

Available slot positions:

- 1 – 14

Connection board G8A-TEL

For connection, the installation board G8A-TEL which is included in the extent of supply, has to be used.

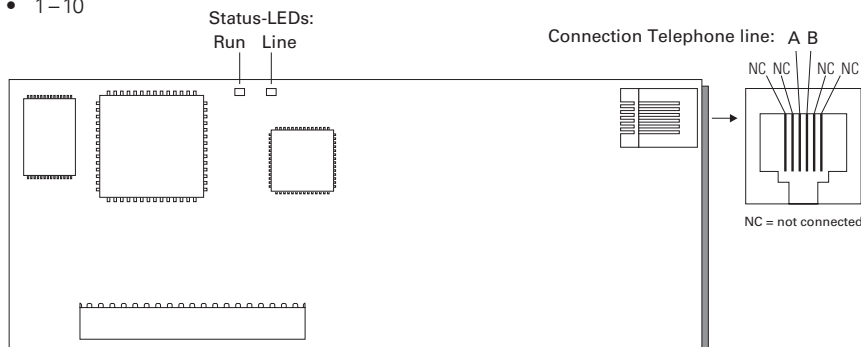


CONNECTION G3-TEL

G3-TEL for the Intercom Server GE 300 (incl. GEZ 300).

Available slot positions:

- 1 – 10

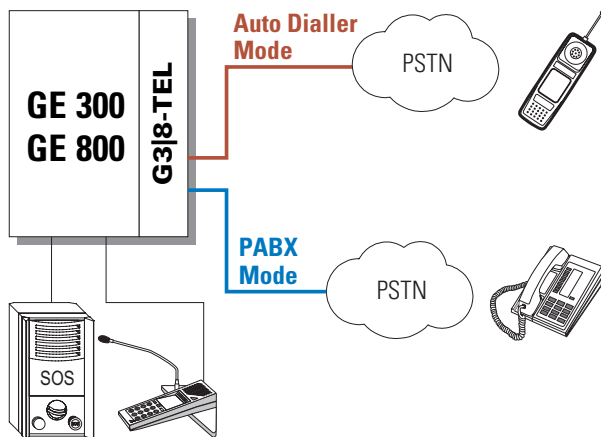


Functions

BASIC FUNCTIONS

The telephone interface can be used for the following functions:

1. Auto Dialler Mode
2. PABX Mode



PABX MODE

- An authorised Intercom station calls the telephone interface (with the calling number of the interface or with a 1- to 4-digit code). Afterwards any telephone number can be dialled.
- By calling the telephone number of the interface, any telephone can call into the Intercom Server.
- Outgoing as well as incoming phone calls to the Intercom system are possible.
- With the DTMF keypad of the telephone Intercom functions can be carried out.

AUTO DIALLER MODE

- The Auto Dialler Mode is used for transfer of Intercom calls and input messages (central control calls) to predefined telephone numbers.
- It is also possible to dial from any telephone into the Intercom Server.
- Outgoing as well as incoming calls to the Intercom system are possible.
- Intercom functions can be carried out with the DTMF keypad of the telephone.

Speech storage

As information for the calling Intercom station and for the telephone different speech messages are available.

- The calling Intercom station receives a *"Calm down message"* (e.g. "Your call has been acknowledged and will be answered shortly").
- The telephone receives a *"Location message"* after lifting the receiver as information where the call comes from. This message shall be individually recorded (e.g.: "Parking North").
- If the initiated calls are call requests, the telephone receives a *"Call request message"* (e.g. "Calls: two, emergency calls: three").
- For each call mode (conversation, call or emergency call) and for each Intercom station additional *"Individual messages"* can be defined (e.g.: "Call from station one-zero-five").

For the digital telephone interface, standard speech messages (WAV-files) are available, but it is also possible to record individual messages.

The WAV-files recorded at a PC are grouped in "playlists" and downloaded via the configuration software CCT 800.

- 450 sec (7.5 min) at 16 kHz
- 900 sec (15 min) at 7 kHz
- max. 128 texts

QUALITY TESTED. RELIABLE. SMART.

COMMEND products are developed and manufactured by Commend International in Salzburg, Austria.

The development and manufacturing processes are certified in accordance with **EN ISO 9001:2015**.

The technical data contained herein has been provided solely for informational purposes and is not legally binding. Subject to change, technical or otherwise. IoT[®], OpenDuplex[®] and Commend[®] are trademarks registered by Commend International GmbH. All other brands or product names are trademarks or registered trademarks of the respective owner and have not been specifically earmarked.

A STRONG WORLDWIDE NETWORK

COMMEND is represented the world over by local Commend Partners and helps to improve security and communication with tailored solutions.

www.commend.com

