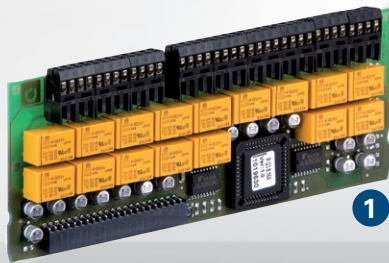
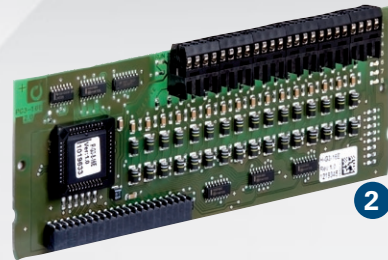


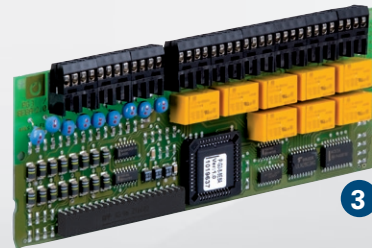
## GE 300 I/O



1



2



3

## Input/output cards GE 300 I/O

The input/output cards are part of the unique interface concept of the Intercom Servers GE300. They enable various control and indication functions and thus upgrade the server units to universal control units for all kinds of activating and sensing.

The different designs of these cards allow flexible configuration, adapted to the customer's needs. The inputs read in

up to 5 states of floating (volt-free) contacts. The outputs are floating (volt-free) relay contacts, designed as normally open, normally closed or change over. The different functions for the individual inputs and outputs can be defined in an easy and user-friendly way with the configuration tool for Windows® (supplied with the Intercom Servers).

1. **G3-16A**  
Plug-in card with 16 outputs (4 can be connected as normally open contacts, normally closed contacts or change over contacts, the other 12 as normally open contacts). The card is equipped with pluggable screw terminals.
2. **G3-16E**  
Plug-in card with 16 inputs for floating (volt-free) contacts. The card is equipped with pluggable screw terminals.

3. **G3-8E8A**  
Plug-in card with 8 inputs for floating (volt-free) contacts and 8 outputs (can be connected as normally open contact, normally closed contact or changeover). The card is equipped with pluggable screw terminals.

# Technical Data – Benefits

## TECHNICAL DATA

Operating temperature range:	0°C to +50°C (32° F to 122° F)
Storage temperature range:	-30°C to +60°C (-22° F to 140° F)
Relative humidity:	20% to 80%
Plug:	40-way socket
Power supply:	from Intercom
Emergency power consumption G3-16A:	minimum: 10mAh (idle), maximum: 250mAh (all relays active)
Emergency power consumption G3-16E:	minimum: 10 mAh (idle), maximum: 70 mAh (all inputs active)
Emergency power consumption G3-8E8A:	minimum: 10 mAh (idle), maximum: 170 mAh (all relays and all inputs active)
Measurements:	60 x 160 mm (2.36 x 6.30 inch)
Weight including package:	G3-16A: 204 g (0.45 lbs) G3-16E: 146 g (0.32 lbs) G3-8E8A: 182 g (0.4 lbs)

## OUTPUTS

System:	Floating relay contacts
Maximum switching power:	60 W / 125 VA
Maximum switching current:	2 A
Maximum switching voltage:	60 VDC / 40 VAC

## INPUTS

System:	for floating relay contacts
Maximum line resistance:	600 Ohm

## BENEFITS

- Monitoring of inputs (e.g. sensors, door status, barrier broken, etc.)
- Control of contacts (e.g. door opener relay, barrier control, etc.)
- Each input can read in 5 different states: Idle mode, Active 1, Active 2, Short circuit, Line break

## SYSTEM REQUIREMENTS

- Intercom Server Software min. PRO 800 1.0B
- Configuration software min. CCT 800 1.0 build 20

## EXTENT OF SUPPLY

- 1 input/output card including:
- Short reference



# Installation

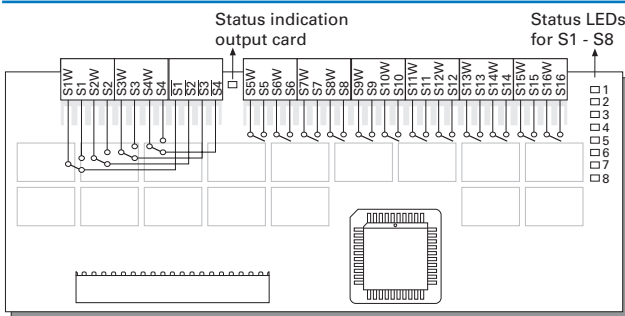
## PRECAUTIONS

- ESD precautions must be observed.
- Cards may be inserted and removed only with voltage switched off.
- Mounting and installation of the Intercom Servers and of the equipment may be carried out by authorised service personnel only.
- No voltage may be connected to the inputs of the G3-8E8A and G3-16E. Only FLOATING CONTACTS like e.g. relay contacts, contactors, keys or switches may be connected.

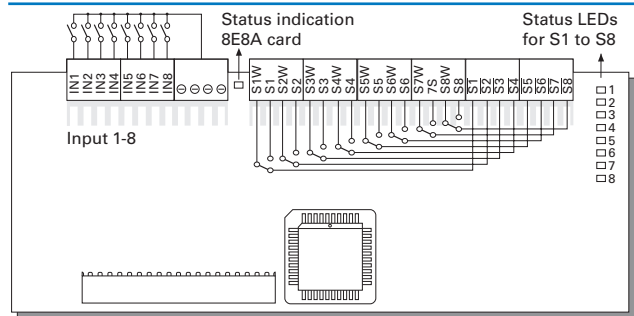
## MOUNTING INSTRUCTIONS

- The cards can be installed in all slots of the GE 300.
- A maximum of 5 input/output cards can be used in the GE 300 plus 5 input/output cards in the expansion housing GEZ 300.

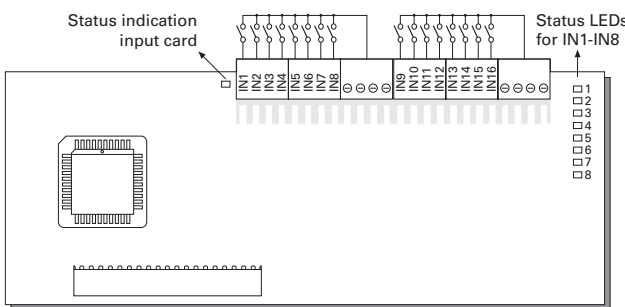
### CONNECTION G3-16A



### CONNECTION G3-8E8A



### CONNECTION G3-16E



## QUALITY TESTED. RELIABLE. SMART.

COMMEND products are developed and manufactured by Commend International in Salzburg, Austria.

The development and manufacturing processes are certified in accordance with **EN ISO 9001:2008**.

The technical data contained herein has been provided solely for informational purposes and is not legally binding. Subject to change, technical or otherwise. IoT<sup>®</sup>, OpenDuplex<sup>®</sup> and Commend<sup>®</sup> are trademarks registered by Commend International GmbH. All other brands or product names are trademarks or registered trademarks of the respective owner and have not been specifically earmarked.

## A STRONG WORLDWIDE NETWORK

COMMEND is represented the world over by local Commend Partners and helps to improve security and communication with tailored solutions.

[www.commend.com](http://www.commend.com)

