

US-CSH-03B

9' High Security Housing



Exterior
Locations

High
Visibility

Vandal
Resistant

Customizable

Vandal-Resistant Hardware

The US-CSH-03B 9' stanchion with strobe / locator lamp is designed to house Commend's tamper / weather resistant substations in exterior locations. Both the size and high visibility colors, provide an extremely visible and aesthetic security site for people in duress. The housing is constructed of heavy duty brushed steel, which could be powder coated in a variety of durable finishes. This provides a reliable and attractive housing for the Commend security substation. The US-CSH-03B can be configured to accept a variety of Commend security substations.

Functions and highlights

Freestanding housing

- Height: 108"
- Width: 10"
- Depth: 8"
- Weight: 225 lbs.
- Material & thickness: 0.1875" steel
- Standard voltage: 12-24V AC/DC

Strobe/Locator Lamp

- Polycarbonate refractor lens
- Indoor / Outdoor use
- 24 VAC
- 120 VAC available

Optional Features

- Voltage: 120, 240, 277V AC, PoE
- Powder coated or wet coat finish

Technical Data and System Requirements

Depending on desired Intercom (consult with Commend Americas sales for support).

Precautions

- When opening the stations ESD precautions must be observed.
- The stations may only be opened by authorized service engineers.

Extent of Supply

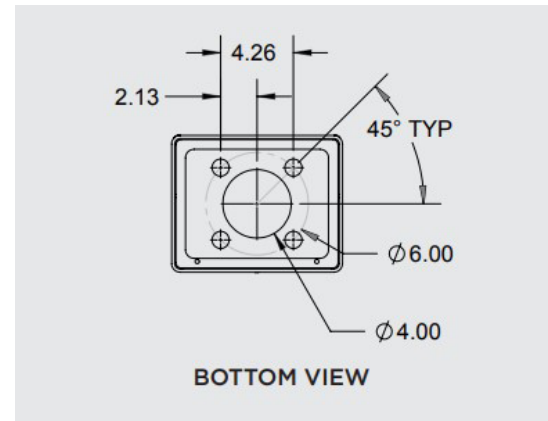
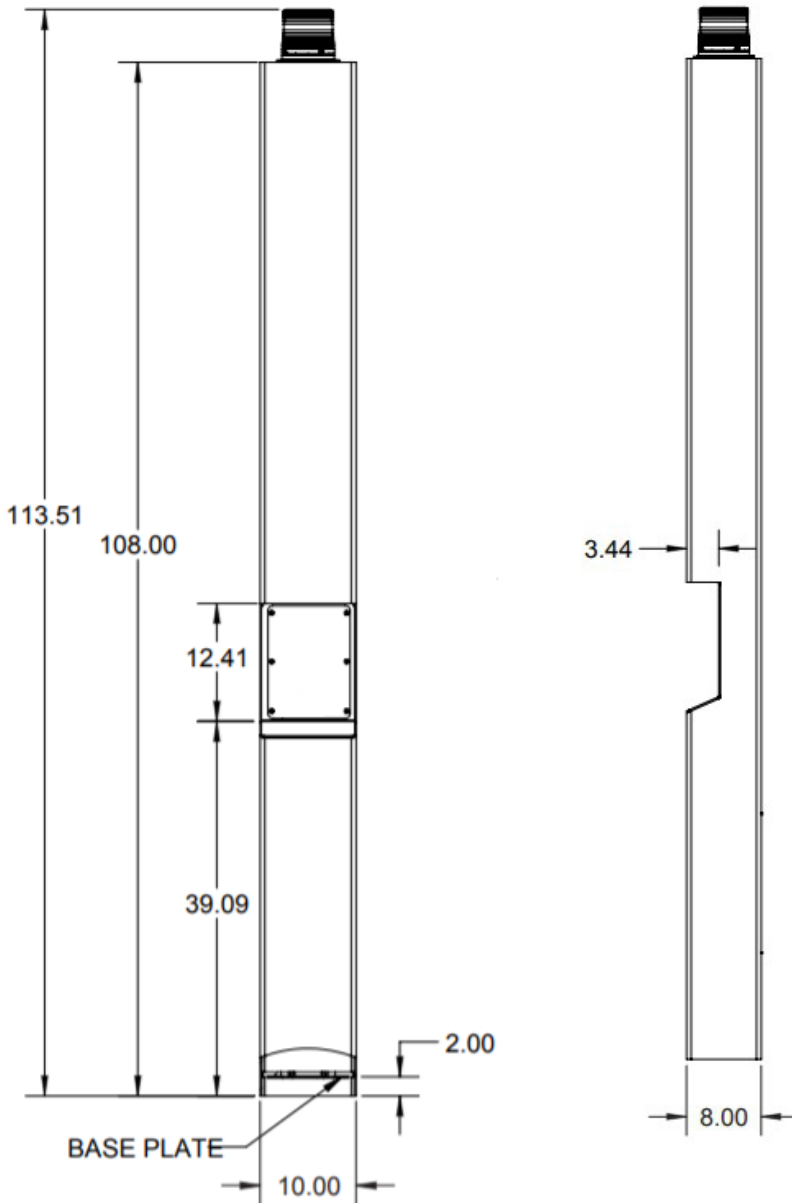
1 security housing

Compliance

- UL 2017
- NEMA 4
- ADA

Connection Diagram

- Height in inches, **not to scale**.



Applications

- Hospitals
- Parking garages
- Airports
- Jails / Correctional Facilities
- Toll booths / tunnels
- Schools / campuses
- Apartment complexes
- Mass transit

Benefits

- High visibility
- Weather / Vandal resistant
- Trim rings available to fit smaller substations
- Ideal for people in duress
- Attractive and durable housing
- Mass notification reliability
- Scream alarm feature in Commend Stations
- Separate strobe is available
- LED lit stainless steel faceplate

CSH-03 Installation Instructions

FOUNDATION - ANCHOR BOLT INSTALLATION INSTRUCTIONS:

Conduit – Electrical and communication line conduit should be run through the center of the foundation hole with a maximum combined diameter of three inches. A minimum of four inches and a maximum of six inches of conduit is required above the finished grade level. To ensure proper grounding, a 1/2-inch x 8-foot copper rod should be inserted in the center of the foundation and tied to the steel enclosure. (Note: Follow all national and local codes governing this installation.)

Pour the foundation – The foundation should be at least 18 inches in diameter and the correct depth for the frost line in your area, with a minimum depth of at least three feet. (Follow your local building codes for foundations.)

Set the anchor bolts in the wet foundation – Four 24-inch L-shaped anchor bolts and an aligning template are supplied for anchoring the unit. The bolts should be set into the foundation so that six inches are showing above the finished grade level. The anchor bolts should be aligned using the supplied template so the faceplate on the unit will face the desired direction.

Wiring – Pull power and phone line up through the conduits. A minimum of two feet of wire must be available from the conduit for electrical and communications wiring.

Tools Needed:

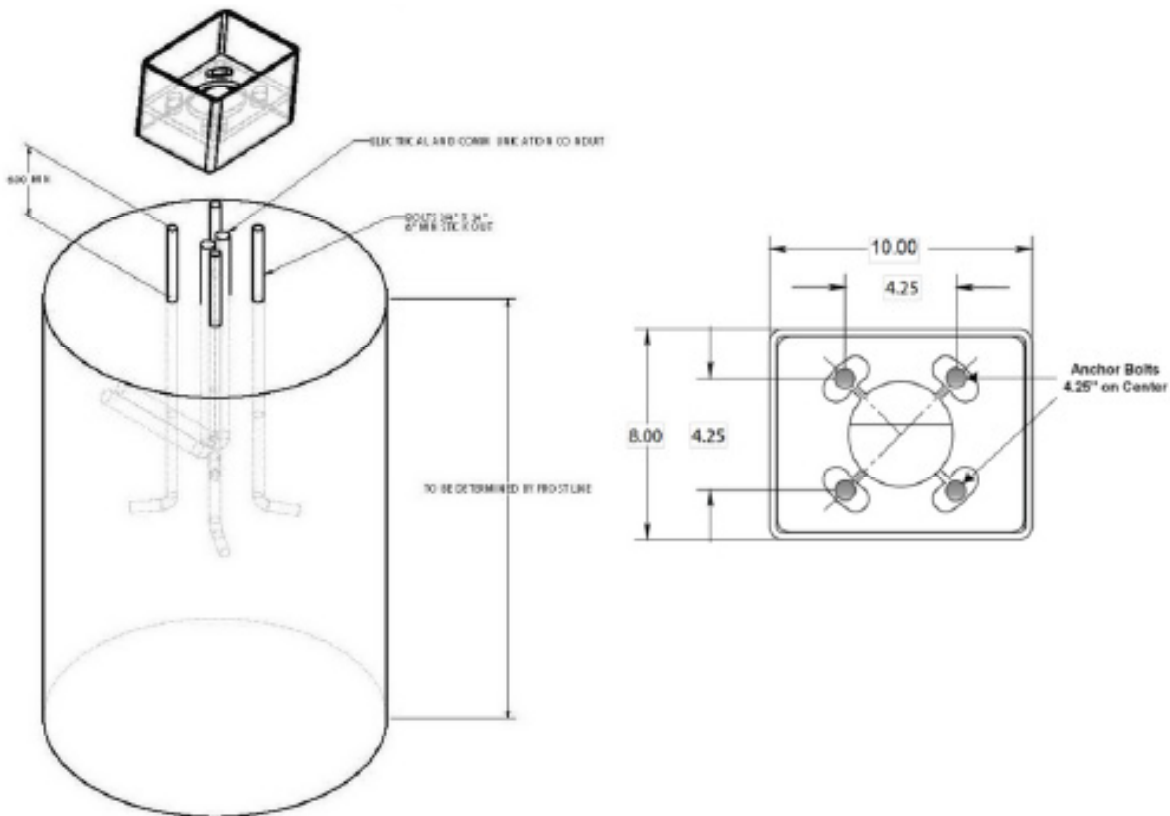
All CSH-03 Units Require:

Ladder to reach the top of the unit.

Drill & Security Bit for removing & inserting security screws-on phone, dome top, & access door.

1-1/8" Socket set & extension

Phillips and flat head screwdrivers



CSH-03 Installation Instructions (Continued)

SET THE UNIT

Screw one set of nuts and washers onto the anchor bolts – After the foundation has set, screw one set of nuts followed by one set of washers onto the anchor bolts. Set the nuts so the lowest washer is about 2 1/2- inches above the concrete and at an even height. To accomplish this, use a small level and check all three directions. These nuts are not adjustable after the unit is in place. The bottom edge of the unit will be 1/2-inch above the concrete when installed.

IMPORTANT: The leveling of the bottom nuts is crucial to the leveling of the unit. A small error will be magnified after installation.

IMPORTANT: A 1/2-inch air gap is required between the foundation and the unit. Moisture problems may result if this condition is not complied with

Set the unit on the anchor bolts – Align the faceplate in the desired direction, then lift the unit over the anchor bolts. Note that the unit weighs approximately 225 pounds. Use appropriate lifting materials and methods to avoid possible injury and/or damage.

Secure the unit – Access the mounting studs through the door on the side of the unit and tighten the mounting nuts onto the anchor bolts. This may be more convenient if a long socket, extension and universal joint is used to tighten the hardware.

INSTALL COMBINATION BEACON/STROBE

Gasket – Place the strobe gasket on top of the enclosure.

Connect the cords – Plug the wires from the beacon-strobe into the mating plug at the top of the enclosure

Fasten the beacon/strobe- Using the supplied screws, fasten the beacon/strobe to the top of the enclosure.

WIRING

Ground – The ground (green) wire should be stripped and fastened to the supplied grounding lug.

24V AC supply – Using the proper crimping tool, attach a #8 fork to each of the incoming power wires and fasten them to the terminal screws labeled “24V AC.”

120/240V AC supply – Using the proper crimping tool, attach a #8 fork to each of the incoming power wires and fasten them to the correct terminals as labeled on the transformer. After completing the wire connections, install the supplied terminal covers.